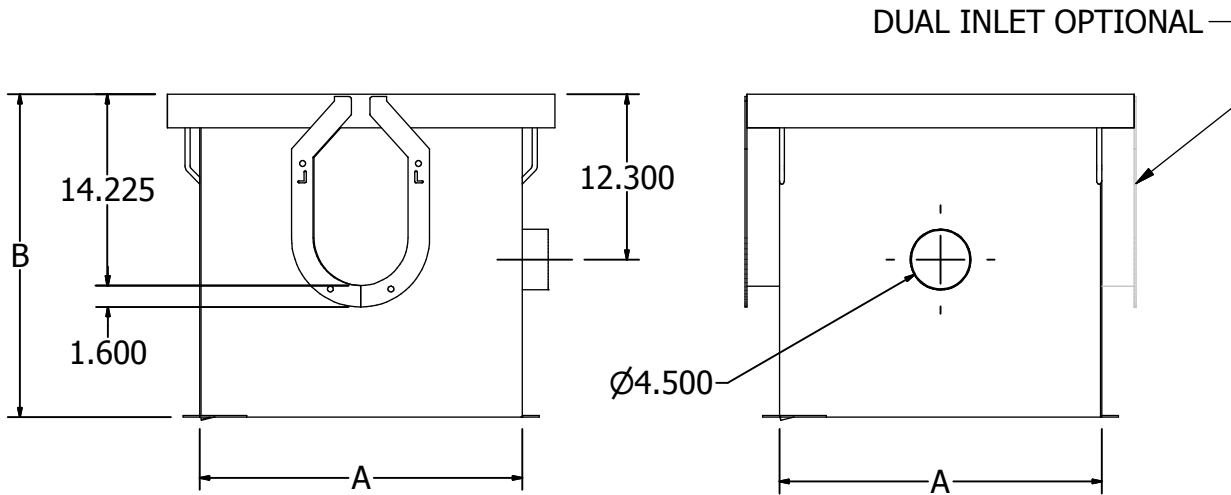
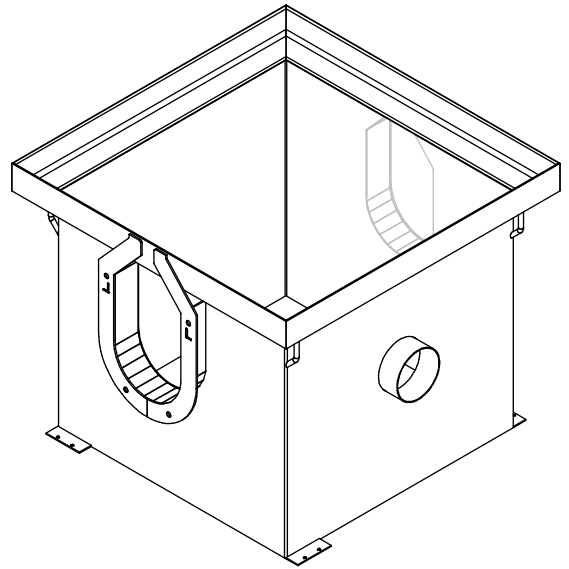




# U-drain Sump Spec Sheet



SUMP	A	B
18" x 18" Single Inlet	18.000"	24.000"
18" x 18" Dual Inlet	18.000"	24.000"
24" x 24" Single Inlet	24.000"	24.000"
24" x 24" Dual Inlet	24.000"	24.000"
36" x 36" Single Inlet	36.000"	36.000"
36" x 36" Dual Inlet	36.000"	36.000"